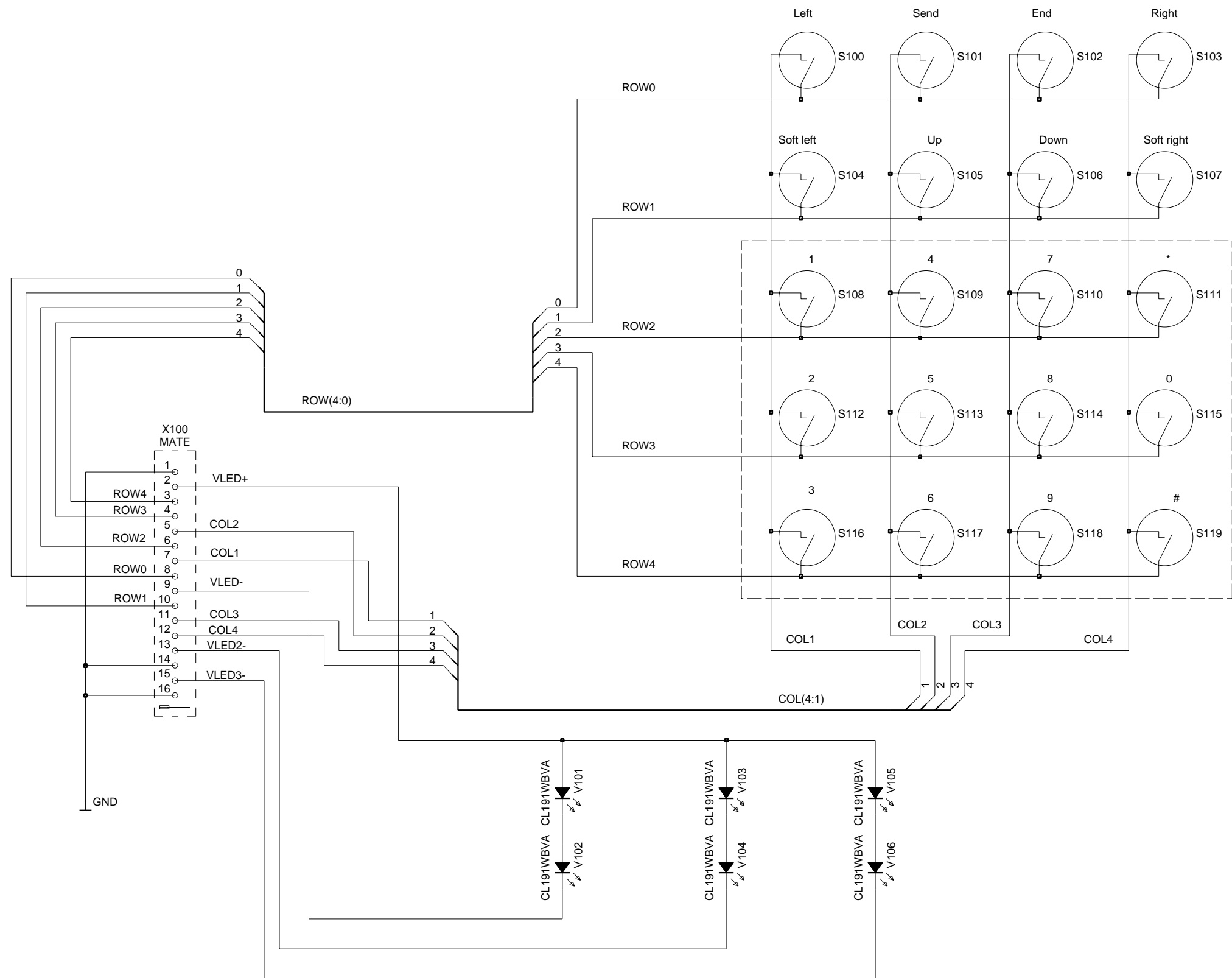
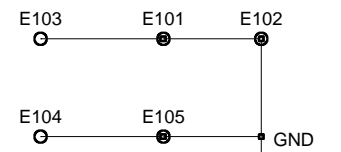


User Interface diagram 1 (ver.0.0 ed.16)



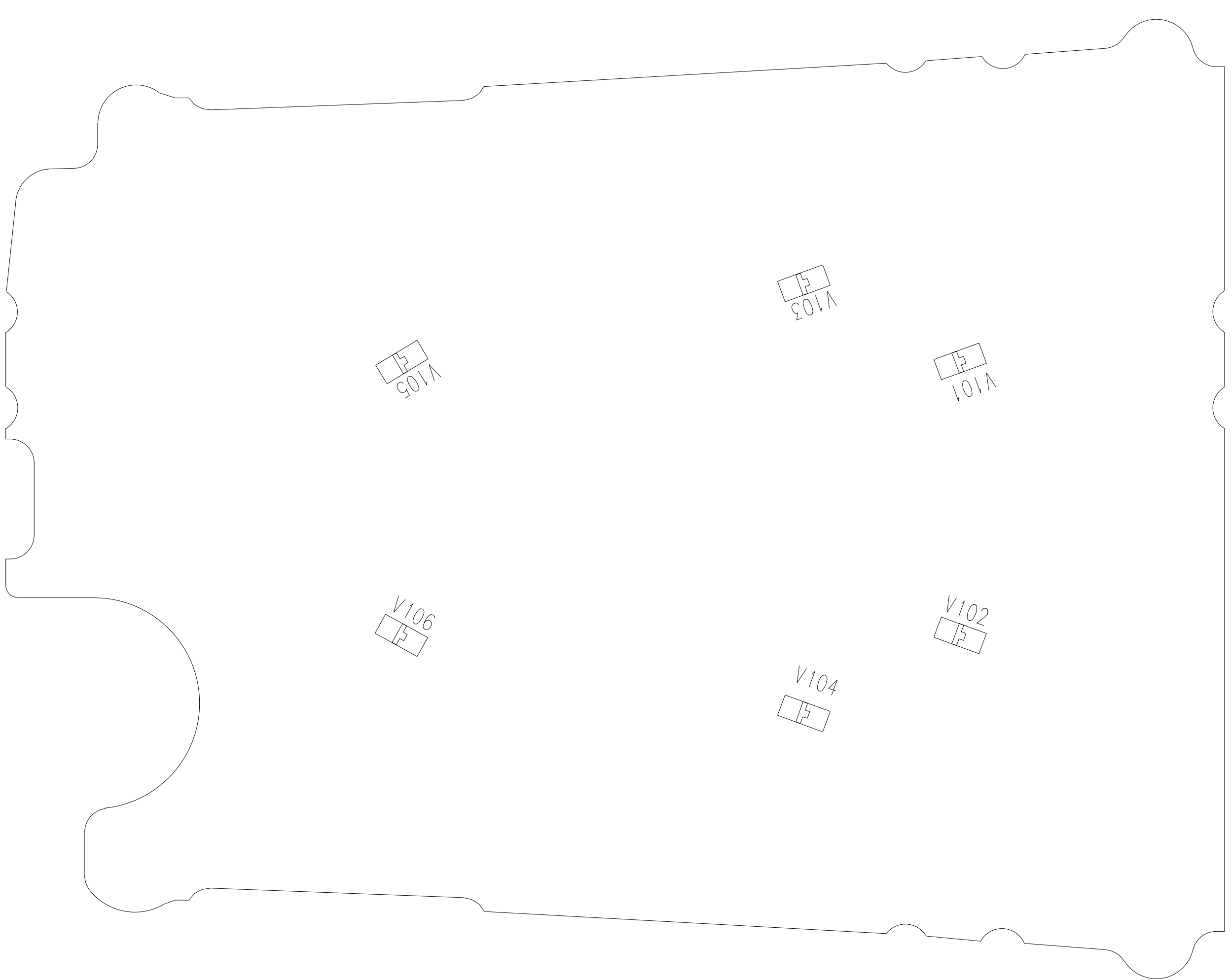
These have different geometry

E101, E102 ARE 1.2 MM
E103 ARE 2.0 MM



E104, E105 ARE 2.0 MM

Parts Placement diagram



fk4_12a_asmldr_w_t.pdf, AUTOSCALE